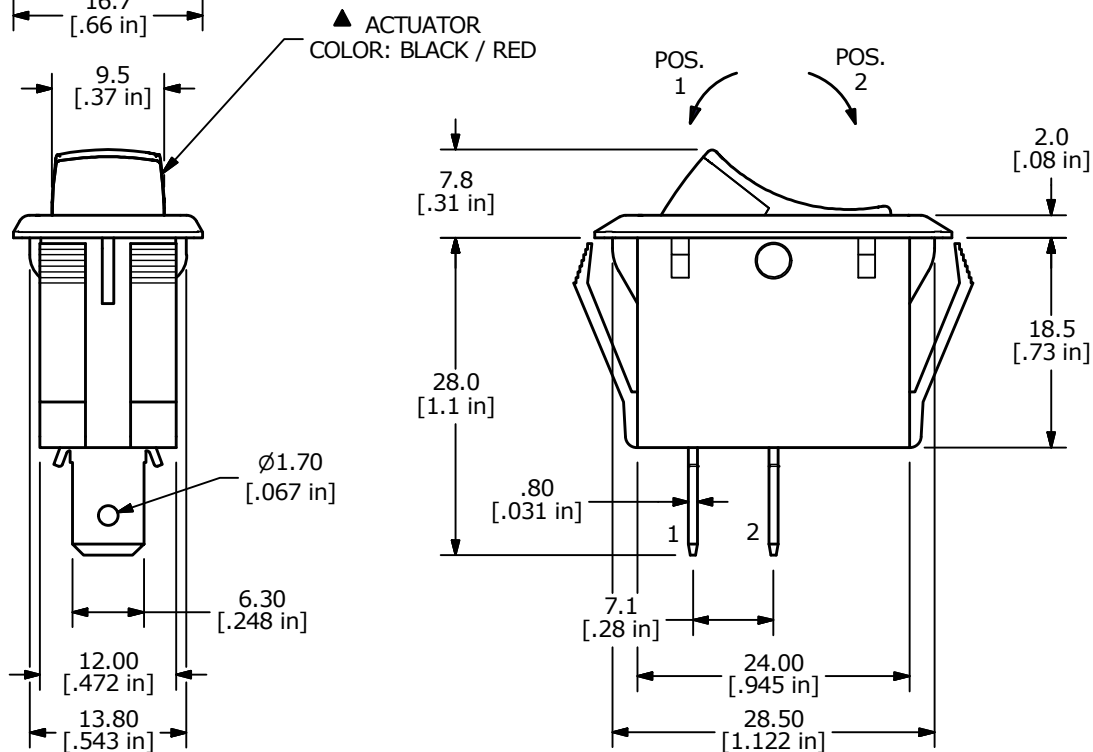
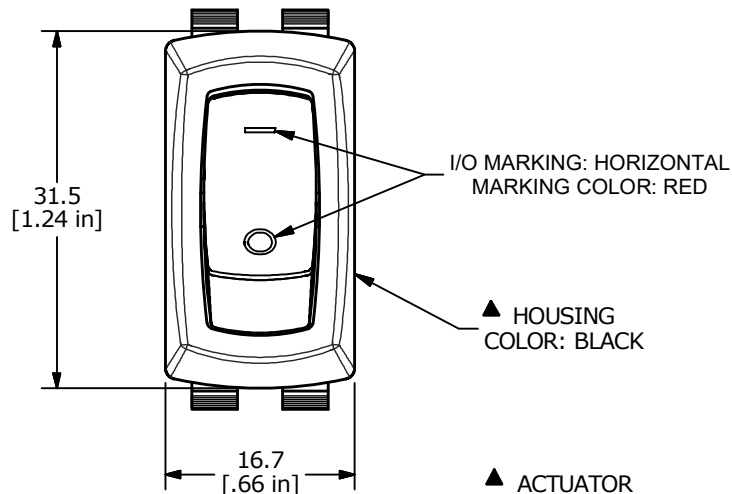


SWITCH FUNCTION	
POS. 1	POS. 2
OFF	ON
OPEN	1-2

NOTES:

1. ALL DIMENSIONS IN MM [INCH]
2. GENERAL TOLERANCE: X.X = ±0.4
X.XX = ±0.25
3. TERM. NOS. FOR REF. ONLY
4. RATING: 20A 125VAC [cURus]
16A 250VAC [cURus]
1/3HP 125/250VAC [cURus]
3/4HP 125/250VAC [cURus]
16(4)A 250V~ 1E4 T85/55 [ENEC, VDE]
20(8)A 250V~ 1E4 T125/55 [ENEC, VDE]
10(2)A 250V~ 5E4 T85/55 [ENEC, VDE]
5. MATERIAL:
CONTACT SURFACE: SILVER PLATED COPPER
CIRCUIT TERMINAL: BRASS ALLOY w/SILVER PLATE
6. ELECTRICAL LIFE: 10,000 CYCLES MIN.
7. CONTACT RESISTANCE: 20m OHMS MAX.
8. OPERATING TEMP: -20°C to 65°C [cURus]
-20°C to 105°C [cURus]
0°C to 85°C [ENEC, VDE]
0°C to 125°C [ENEC, VDE]
9. DIELECTRIC STRENGTH: >1,000V AC 1MIN
10. ▲ DENOTES CRITICAL PARAMETER.
11. 2011/65/EU (ROHS) COMPLIANT.



A	23408	RELEASE FOR PRODUCTION	6/20/18	MW
REV	PCR NO	DESCRIPTION	DATE	BY

TITLE RSC141D1A8R				
SCALE	DATE	DR	DWG	REV
3:2	6/20/2018	MW	14-RSC141D1A8R	A

THE INFORMATION CONTAINED IN THIS DOCUMENT IS PROPRIETARY TO E-SWITCH AND IS NOT TO BE COPIED OR TRANSFERRED